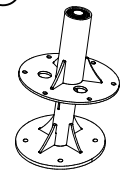

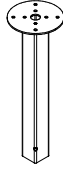

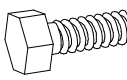
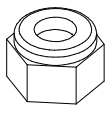

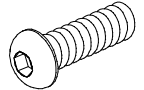


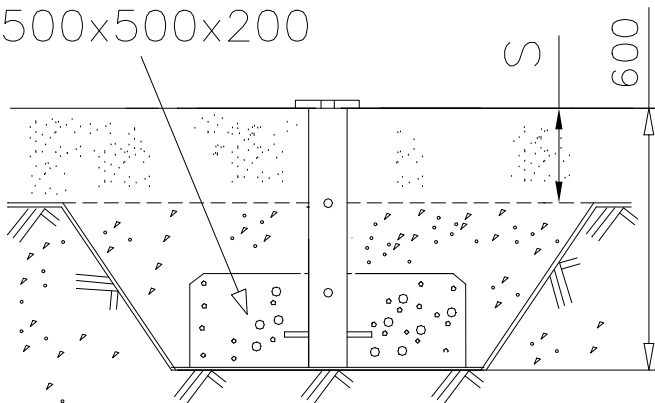


① 907765	PCS	② 907813	PCS
	1		1
③ 907872	PCS	④ 909256	PCS
	1		6
		Ø16/8.4x1.6	
⑤ 909629	PCS	⑥ 909637	PCS
	4		4
M10x30		M10	
⑦ 909638	PCS	⑧ 900342	PCS
	8		6
Ø20/10.5		M8x16	
⑨ 909628	PCS	⑩ 702341	PCS
	4		1
M10x100		90x50	

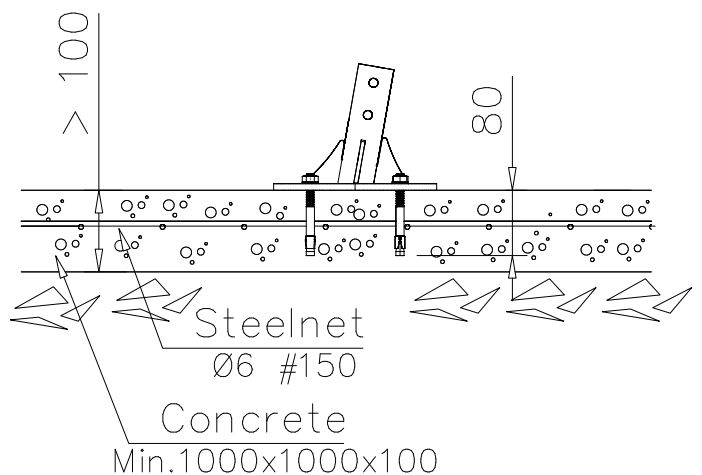
DET 1

Concrete  
500x500x200



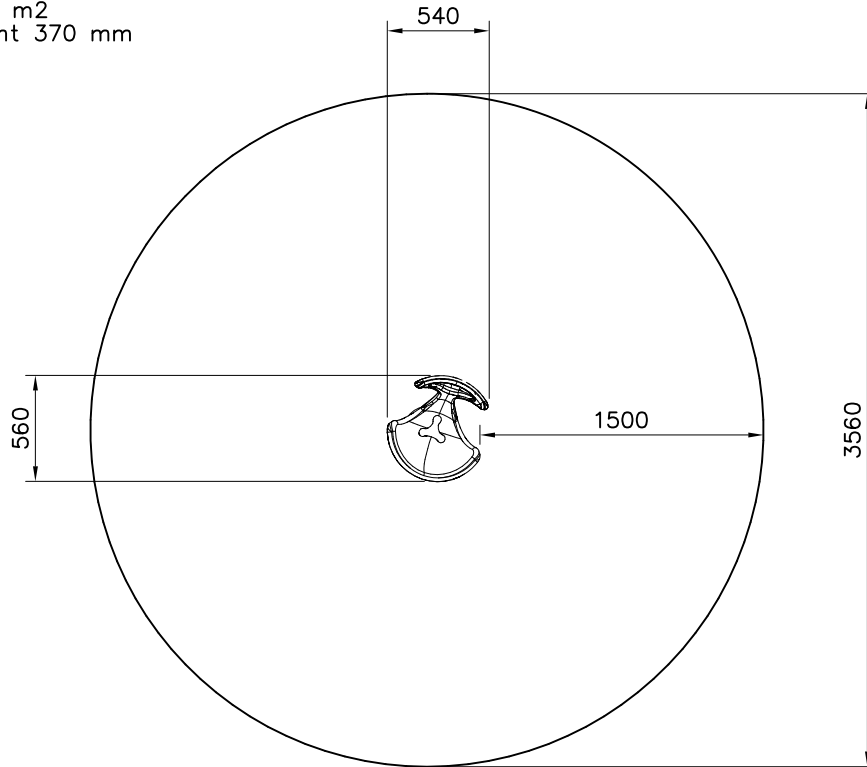
DET 2

Surface mounting



—— EN Impact Area 10 m<sup>2</sup>  
 - - - - Falling Space 10 m<sup>2</sup>  
 Max Falling Height 370 mm

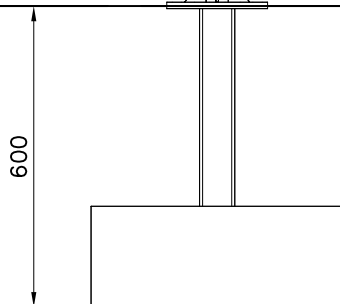
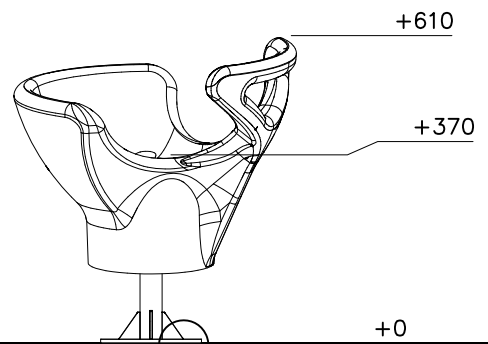
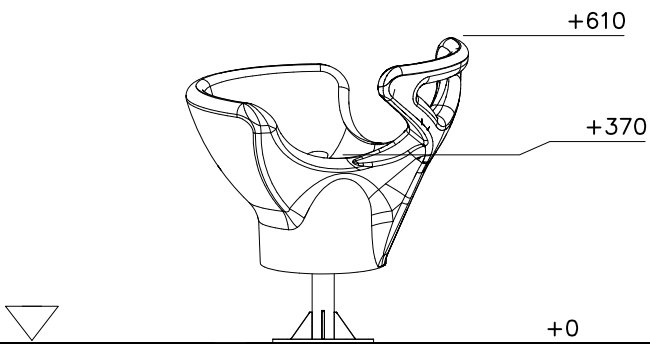
1:40



1:15

Surface mounting

1:15

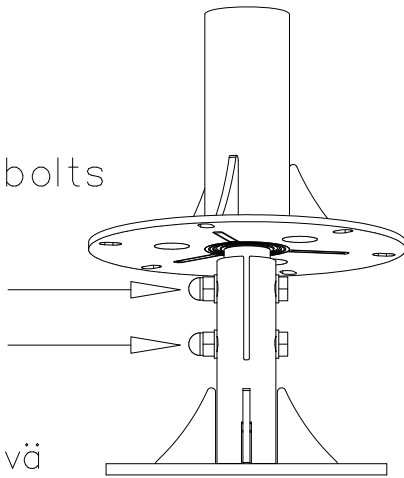


DET 2, 6, 7

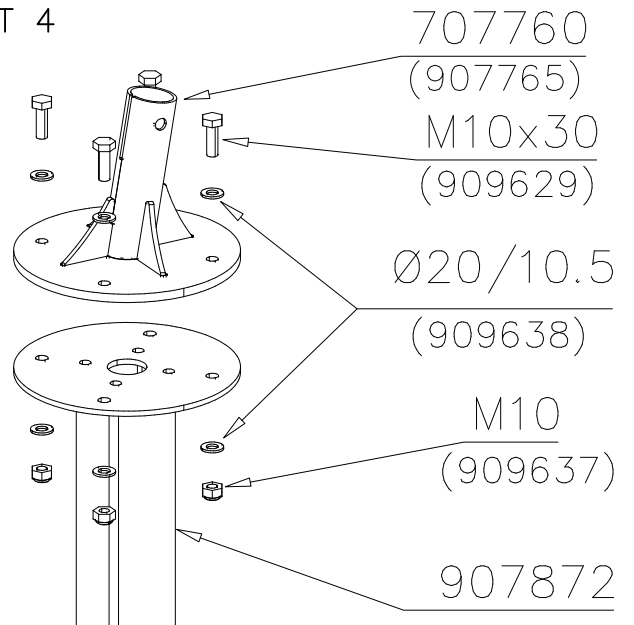
DET 3

Note!  
Tighten bolts  
properly.

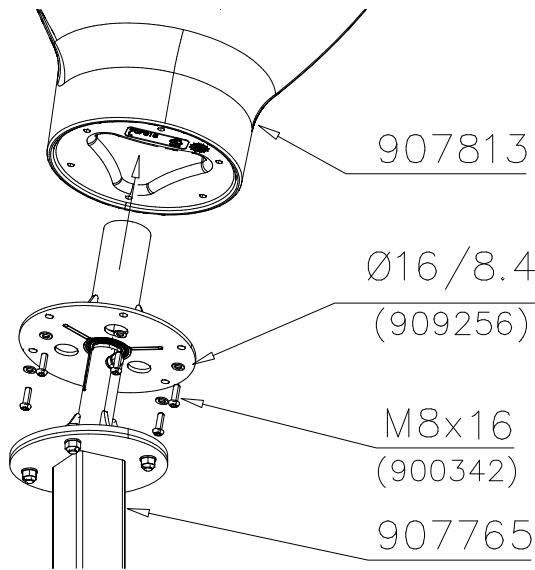
Huom!  
Pultit on  
kiristettävä  
lopulliseen  
kireyteen.



DET 4

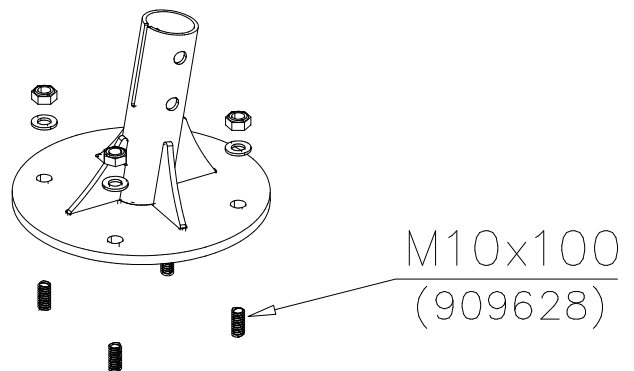


DET 5



DET 6

Surface mounting



DET 7

Surface mounting

Safety surface

